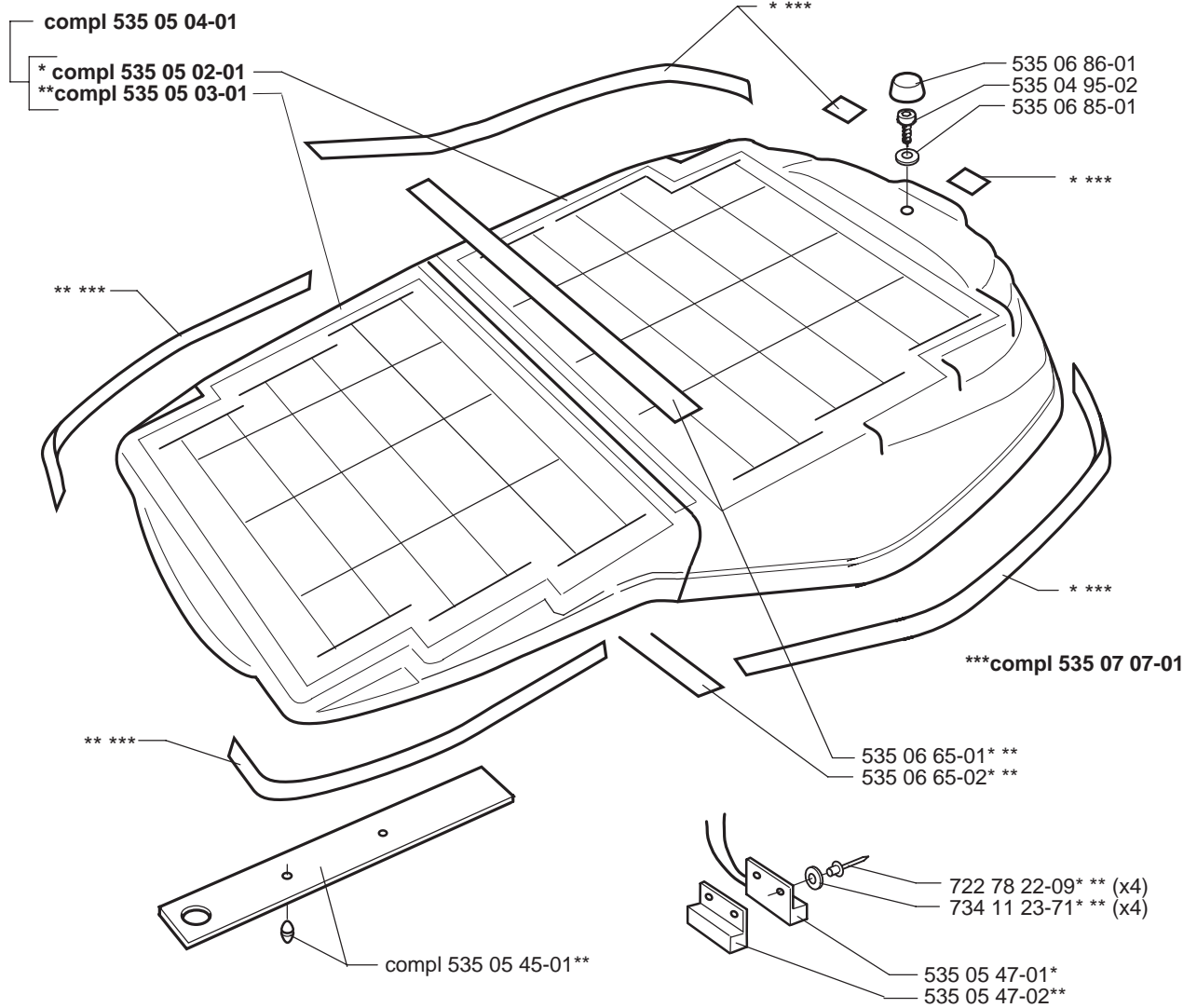
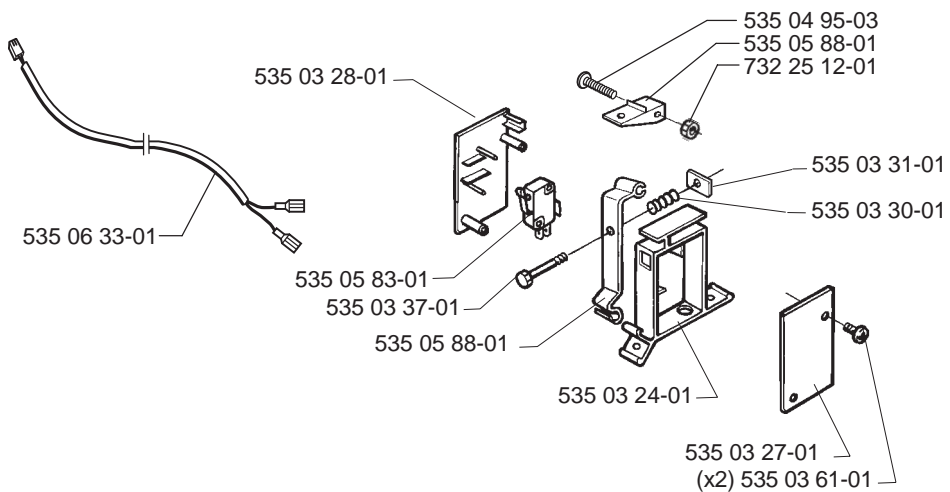
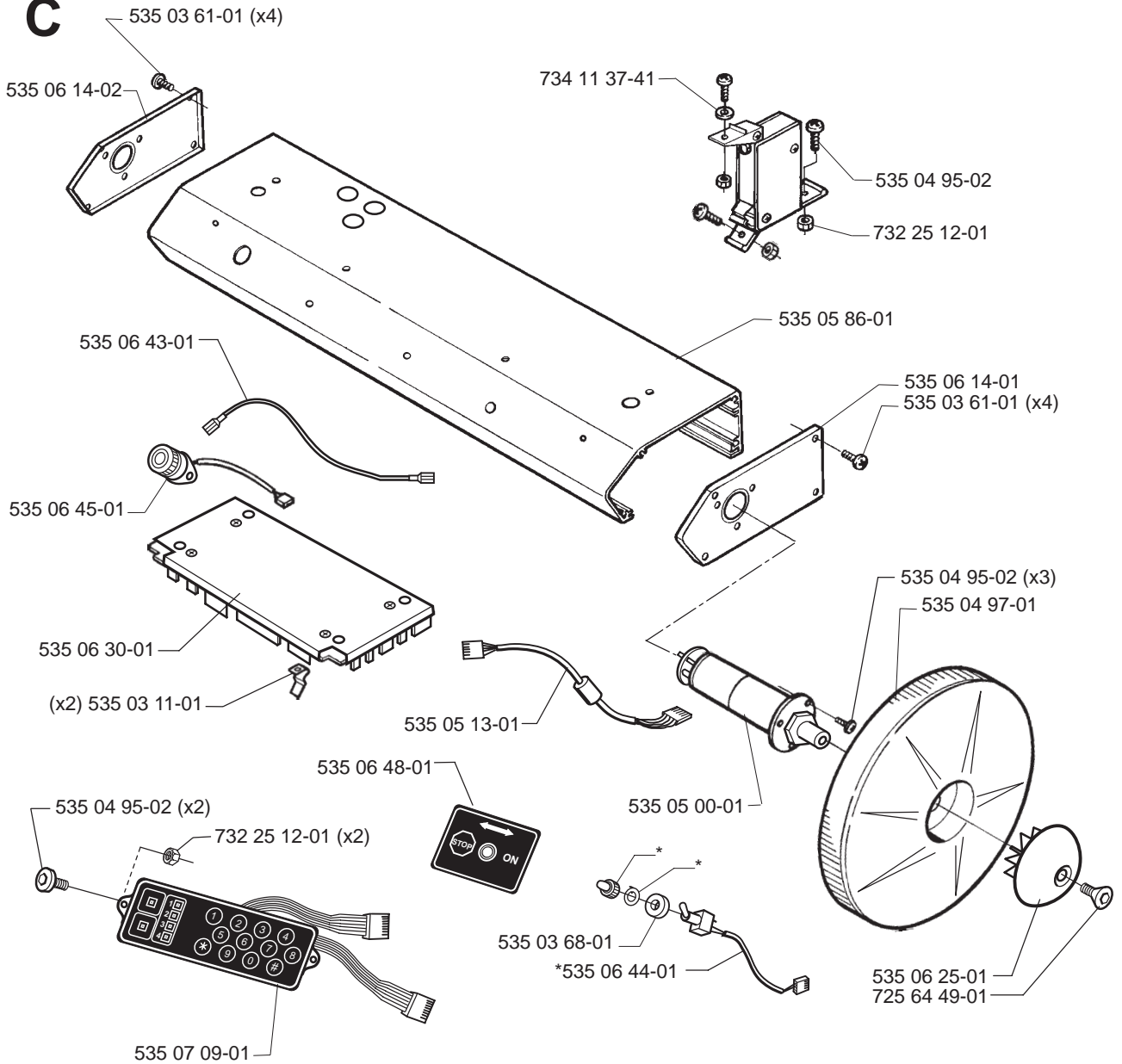
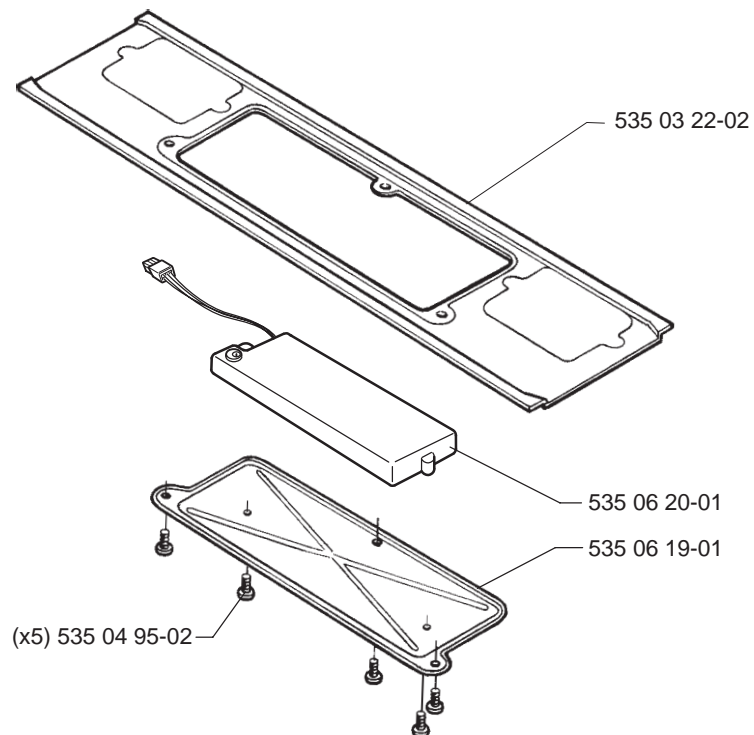


A

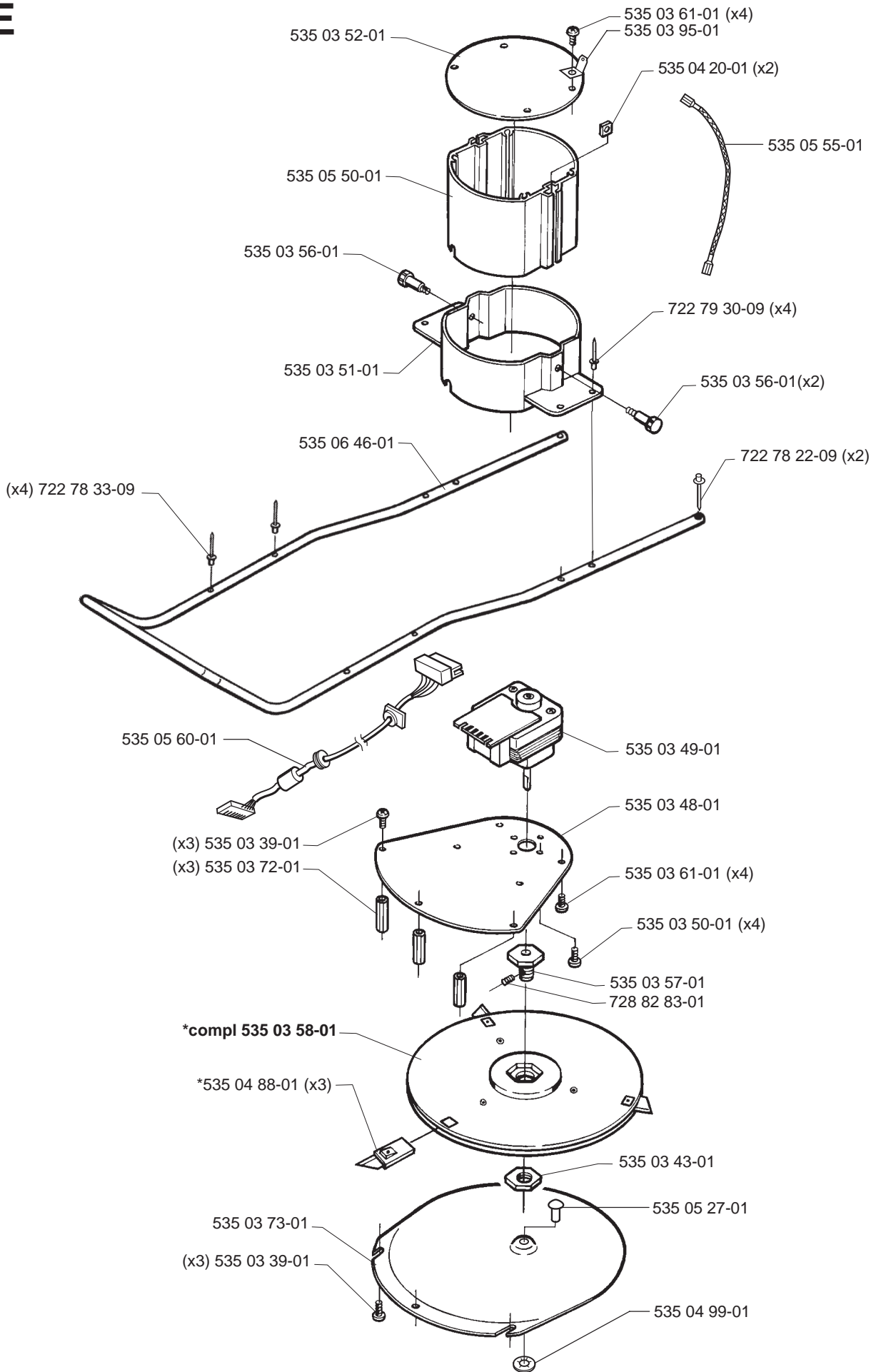


B

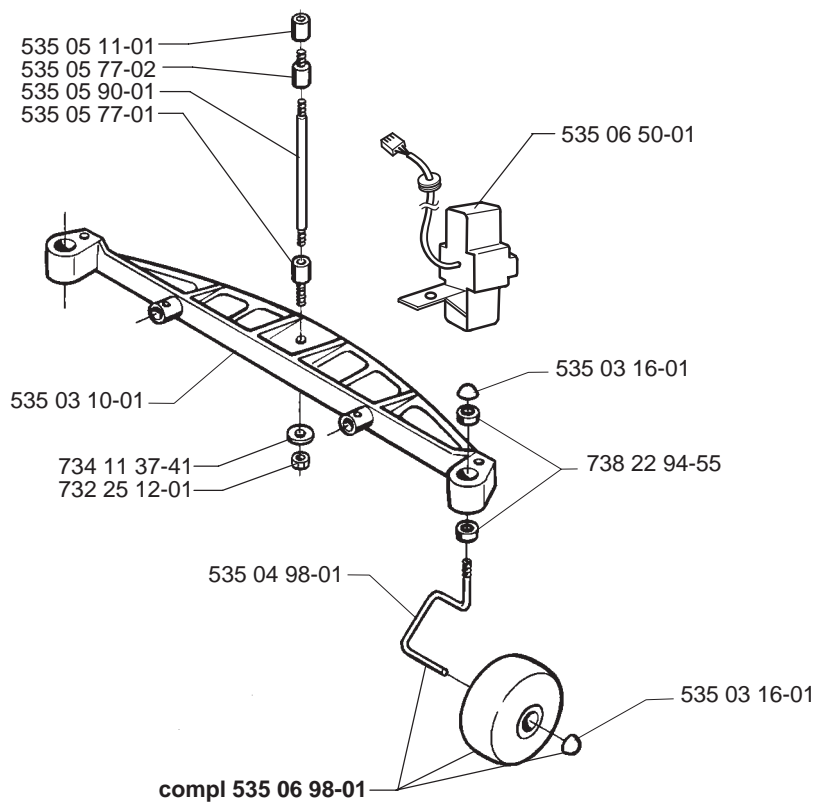


C**D**

E

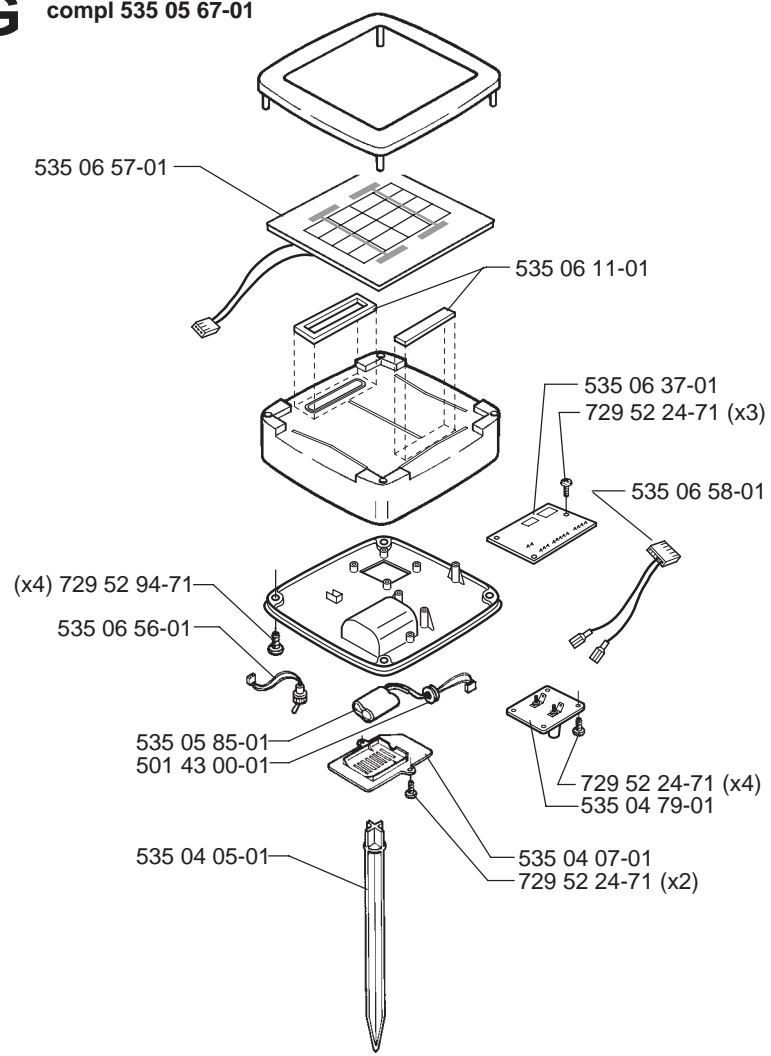


F



G

compl 535 05 67-01



H

